



DIE 165 R



en Operating and
installation instructions

fr Mode d'emploi et
notice de montage

es Instrucciones de uso
y de montaje



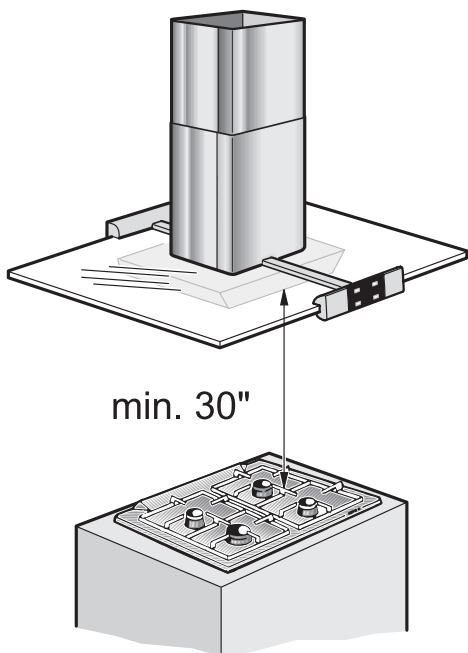
Household Appliances

Internet: <http://www.bosch-hausgeraete.de>
Bosch Info-Team: de Tel. 01 80/5 30 40 50 (€ 0,14/Min. DTAG)

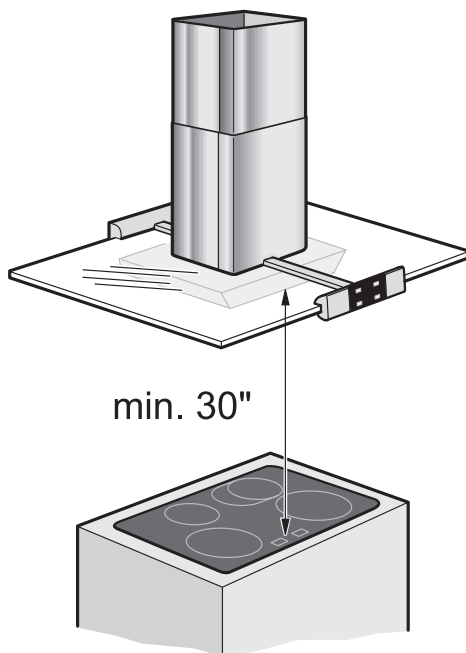


BOSCH

Fig. 1
GAZ

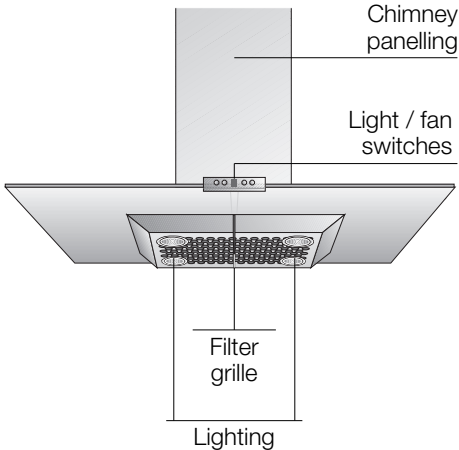


ELECTRO



Instructions for use:

Appliance description



Operating modes

This can be achieved if the combustion air is able to flow through non-lockable openings, e.g. in doors, windows and in conjunction with an air supply/air-intake wall box or by other technical procedures such as reciprocal interlocking.

If the air intake is inadequate, there is a risk of poisoning from combustion gases which are drawn back into the room.

An air-intake/exhaust-air wall box by itself is no guarantee that the limiting value will not be exceeded.

Note: When assessing the overall requirement, the combined ventilation system for the entire household must be taken into consideration. This rule does not apply to the use of cooking appliances, such as hobs and ovens.

Operating modes

Exhaust-air mode:

- The extractor-hood fan extracts the kitchen vapours and conveys them through the grease filter into the atmosphere.
- The grease filter absorbs the solid particles in the kitchen vapours.
- The kitchen is kept almost free of grease and odours.

⚠ WARNING

When the extractor hood is operated in exhaust-air mode simultaneously with a different burner which also makes use of the same chimney (such as gas, oil or coal-fired heaters, continuous-flow heaters, hot-water boilers) care must be taken to **ensure that there is an adequate supply of fresh air** which will be needed by the burner for combustion.

Safe operation is possible provided that the underpressure in the room where the burner is installed does not exceed 4 Pa (0.04 mbar).

Before using for the first time

Important notes:

- ❑ The Instructions for Use apply to several versions of this appliance. Accordingly, you may find descriptions of individual features that do not apply to your specific appliance.
- ❑ This extractor hood complies with all relevant safety regulations.

Repairs should be carried out by qualified technicians only.


CAUTION

Improper repairs may put the user at considerable risk.

- ❑ Before using your appliance for the first time, please read these Instructions for Use carefully. They contain important information concerning your personal safety as well as on use and care of the appliance.
- ❑ Please retain the operating and installation instructions for a subsequent owner.
- ❑ This appliance is labelled in accordance with European Directive 2002/96/EG concerning used electrical and electronic appliances (waste electrical and electronic equipment – WEEE). The guideline determines the framework for the return and recycling of used appliances as applicable throughout the EU.



Gas hobs / Gas cookers

 Do not use all the gas hotplates simultaneously for a prolonged period (max. 15 minutes) at maximum thermal load, otherwise there is a risk of burns if the housing surfaces are touched or a risk of damage to the extractor hood. If the extractor hood is situated over a gas hob, operate the hood at maximum setting if three or more gas hotplates are operated simultaneously.

Before using for the first time

SAFETY INSTRUCTIONS

Do not flambé food directly under the extractor hood.

Risk of grease filter catching fire due to flames.

The hotplates must always be covered with a utensil.

The extractor hood must not be operated above a solid-fuel or gas fire (coal, wood, etc.) (see installation instructions).

Do not operate all hotplates simultaneously over a prolonged period (max. 15 minutes) at maximum thermal load, otherwise there is a risk of burns from touching the housing surfaces or a risk of damaging the extractor hood. When operating the extractor hood above a hob, operate the hood at maximum setting if three or more hotplates are on at the same time.

Do not use the appliance if damaged.

The appliance is not intended for use by young children or infirmed persons without supervision.

Young children should be supervised to ensure they do not play with the appliance.

When children become old enough to use the appliance, it is the legal responsibility of the parents or legal guardian to ensure that they are instructed in its safe use by qualified persons.

If the connecting cable for this appliance is damaged, the cable must be replaced by the manufacturer or his customer service or a similarly qualified person in order to prevent serious injury to the user.

The appliance must be connected to the mains by a qualified technician only.

Dispose of packaging materials properly (see Installation instructions).

This extractor hood is designed for domestic use only.

Light bulbs must always be fitted when the extractor hood is in use.

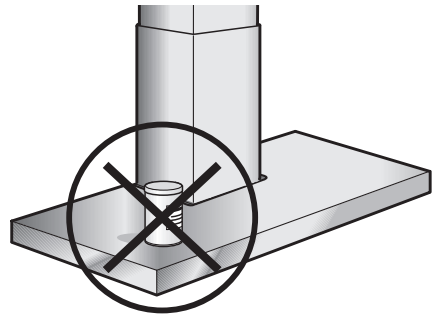
Defective bulbs should be replaced immediately to prevent the remaining bulbs from overloading.

Never operate the extractor hood without a grease filter.

Overheated fat or oil can easily catch fire. If you are cooking with fat or oil, e.g. chips, etc., never leave the cooker unattended.

Carefully clean the extractor hood before switching on for the first time.

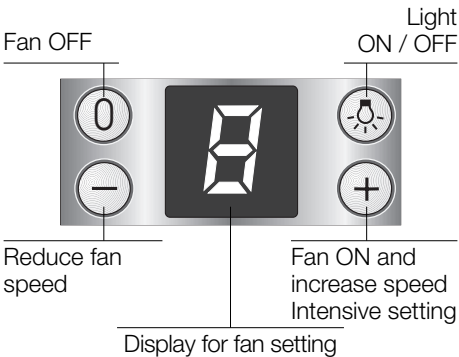
Do not place any objects on the extractor hood.



Operating procedure

The most effective method of removing vapours produced during cooking is to:


- Switch the ventilator ON**
as soon as you begin cooking.
- Switch the ventilator OFF**
a few minutes after you have finished cooking.



Acoustic signal:

- When a button is pressed, this is verified by an acoustic signal.

Switching off the acoustic signal:

- Simultaneously press buttons  and + until a signal is emitted after approx. 3 seconds.

Switching on the acoustic signal:

- Repeat the process.

Switching the fan ON

- Press the + button.

Setting the required fan speed:

- Press the + button.
The fan speed is increased by one step.
- Press the - button.
The fan speed is reduced by one step.

Switching the fan OFF:



- Press the 0 button.

Or:


- Keep pressing the - button until the fan switches off.

Intensive setting:

Maximum power is obtained at the intensive setting. It is only required for short intervals.

- Keep pressing the + button until a  appears in the display.
- If the intensive setting is not cancelled by hand, the fan will automatically switch back to step  after 10 minutes.

Lighting:

- The light can be switched on at any time, even though the fan is switched off.
- Adjusting the brightness:**
Hold down the  button until the desired brightness is obtained.

Filters and maintenance

Grease filters:

Metal filters are used to trap the greasy element of the vapours that develop during cooking.

The filter mats are made from non-combustible metal.

CAUTION

As the filter becomes more and more saturated with grease, not only does the risk of it catching fire increase but the efficiency of the extractor hood can also be adversely affected.

IMPORTANT

By cleaning the metal grease filters at appropriate intervals, the possibility of them catching fire as a result of a build-up of heat such as occurs when deep-fat frying or roasting is taking place, is reduced.

Saturation indicator:

When the grease filters reach saturation point, an acoustic signal is sounded for 6 seconds after the fan has switched off, and an  appears in the display. The grease filters should be cleaned straight away.

Cleaning the metal grease filters:

- In normal operation (1 to 2 hours daily), the metal grease filter must be cleaned 1 x a month.
- The filters can be cleaned in a dishwasher. It is however possible that they will become slightly discoloured.
- The filter must be placed loosely, and NOT wedged, in the dishwasher.

IMPORTANT:

Metal filters that are saturated with grease should not be washed together with other dishes etc.

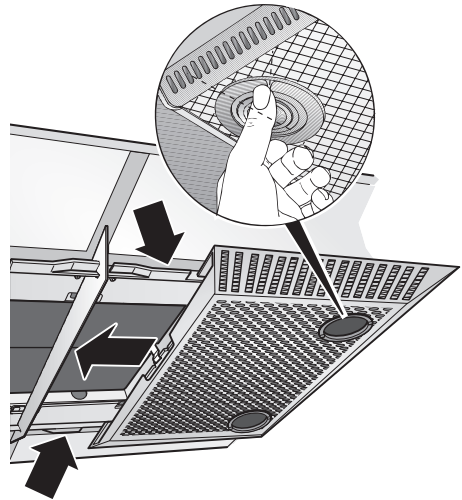
- When cleaning the filters by hand, soak them in hot soapy water first of all. Do not use aggressive, acidic or caustic cleaners. Then brush the filters clean, rinse them thoroughly and leave the water to drain off.


Removing and inserting the metal grease filters:

WARNING

The halogen bulbs must be switched off and cool.

1. Rotate the two catches on the grease filter and remove the grease filter sideways.



2. Clean the grease filter.
3. Re-insert the clean grease filter.
4. **Cancel the  in the display.**
 - Press the - button.

Cleaning and care

Isolate the extractor hood by pulling out the mains plug or switching off the fuse.

NOTE:

Do not clean the extractor hood with abrasive sponges or with cleaning agents which contain sand, soda, acid or chlorine!

- Clean the extractor hood with a hot soap solution or a mild window cleaner.
- Do not scrape off dried-on dirt but wipe off with a damp cloth.
- When cleaning the grease filters, remove grease deposits from accessible parts of the housing. This prevents the risk of fire and ensures that the extractor hood continues operating at maximum efficiency.

Screen and control buttons:

Clean with a mild detergent solution and a soft, damp cloth only.

Do not use stainless steel cleaners.

Stainless steel surfaces:

- Use a mild non-abrasive stainless steel cleaner.
- Clean the surface in the same direction as it has been ground and polished.
- We recommend our stainless steel cleaner no. 461731.
See enclosed service booklet for order address.

Aluminium, coated and plastic surfaces:

- Do not use dry cloths.
- Use a mild window cleaning agent.
- Do not use aggressive, acidic or caustic cleaners.

Observe the warranty regulations in the enclosed service booklet.

Replacing the light bulbs

1. Switch off the extractor hood and pull out the mains plug or switch off the electricity supply at the fuse box.

⚠ CAUTION:

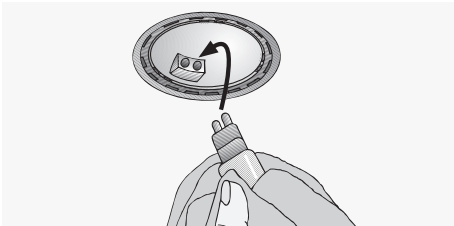
When switched on, the halogen bulbs become very hot. Even for some time after the bulbs have been switched off there is still a risk of burns.

2. Remove the bulb ring with a screwdriver or similar tool.



3. Replace the halogen light bulb (conventional halogen bulb, 12 Volt, max. 20 Watt, G4 cap).

NOTE: Refer for plug-in lampholder. Take hold of the bulb with a clean cloth.



4. Re-insert the bulb ring.
5. Plug the appliance into the mains or switch it on at the fuse box.

NOTE:

If the light does not function, check that the bulbs have been inserted correctly.

If you encounter a problem

If an \square appears in the display:

- See "Filters and maintenance" Section.

If it is not possible to operate the extractor hood:

- Disconnect the extractor hood from the mains electricity supply by pulling out the plug or switching it off at the main fuse box.
Wait for approx. 1 minute and then switch it on again.

If you have any questions or if a fault occurs, please call Customer Service.

(See list of Customer Service representatives).

When you call, please quote the following:

E-Nr.	FD
-------	----

Enter the relevant numbers into the box above. The E-Nr. (product no.) and FD (production date) are shown on the nameplate which can be seen inside the extractor hood after the filter frame has been detached.

IMPORTANT:

The manufacturer of the extractor hoods accepts no liability for complaints which can be attributed to the design and layout of the pipework.

Installation Instructions:

Important information

Old appliances are not worthless rubbish. Valuable raw materials can be reclaimed by recycling old appliances. Before disposing of your old appliance, render it unusable.

You received your new appliance in a protective shipping carton. All packaging materials are environmentally friendly and recyclable. Please contribute to a better environment by disposing of packaging materials in an environmentally-friendly manner.

Please ask your dealer or inquire at your local authority about current means of disposal.

The extractor hood can only be used in exhaust air mode.

Always mount the extractor hood over the centre of the hob.

Minimum distance between electric hob and bottom edge of extractor hood: **30"**, Fig. 1.

The extractor hood must not be installed over a solid fuel cooker – a potential fire hazard (e.g. flying sparks) – unless the cooker features a **closed, non-removable cover** and all national regulations are observed.

The smaller the gap between the extractor hood and hotplates, the greater the likelihood that droplets will form on the underside of the extractor hood.

Additional information concerning gas cookers:

When installing gas hotplates, comply with the relevant national statutory regulations (e.g. in Germany: Technische Regeln Gasinstallation TRGI).

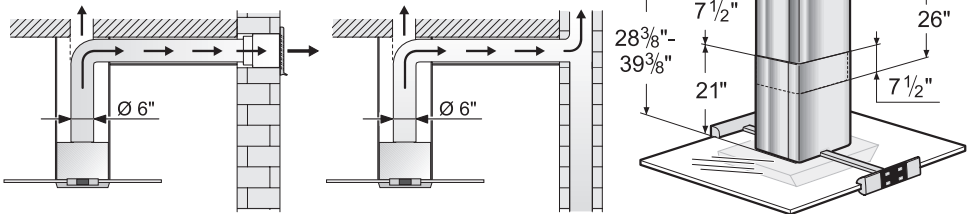
Always comply with the currently valid regulations and installation instructions supplied by the gas appliance manufacturer.

Only one side of the extractor hood may be installed next to a high-sided unit or high wall. Gap at least 2".

Minimum distance on gas hotplates between the upper edge of the trivet and lower edge of the extractor hood: **30"**, Fig. 1.

Prior to installation

Exhaust-air mode



The exhaust air is discharged upwards through a ventilation shaft or directly through the outside wall into the open.

WARNING

Exhaust air should neither be directed into a smoke or exhaust flue that is currently used for other purposes, nor into a shaft that is used for ventilating rooms in which stoves or fireplaces are also located.

Exhaust air may be discharged in accordance with official and statutory regulations only (e.g. national building regulations).

Local authority regulations must be observed when discharging air into smoke or exhaust flues that are not otherwise in use.

WARNING

When the extractor hood is operated in exhaust-air mode simultaneously with a different burner which also makes use of the same chimney (such as gas, oil or coal-fired heaters, continuous-flow heaters, hot-water boilers) care must be taken to **ensure that there is an adequate supply of fresh air** which will be needed by the burner for combustion.

Safe operation is possible provided that the underpressure in the room where the burner is installed does not exceed 4 Pa (0.04 mbar).

This can be achieved if combustion air can flow through non-lockable openings, e.g. in doors, windows and via the air-intake/exhaust-air wall box or by other technical measures, such as reciprocal interlocking, etc.

If the air intake is inadequate, there is a risk of poisoning from combustion gases which are drawn back into the room.

An air-intake/exhaust-air wall box by itself is no guarantee that the limiting value will not be exceeded.

Note: When assessing the overall requirement, the combined ventilation system for the entire household must be taken into consideration. This rule does not apply to the use of cooking appliances, such as hobs and ovens.

If the exhaust air is going to be discharged into the open, a telescopic wall box should be fitted into the outside wall.

Prior to installation

For optimum extractor hood efficiency:

- Short, smooth air exhaust pipe.
- As few bends in the pipe as possible.
- Diameter of pipe to be as large as possible and no tight bends in pipe.

If long, rough exhaust-air pipes, many pipe bends or smaller pipe diameters are used, the air extraction rate will no longer be at an optimum level and there will be an increase in noise.

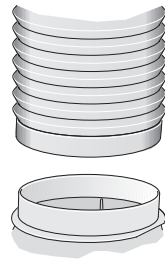
IMPORTANT:

The manufacturer of the extractor hoods accepts no liability for complaints which can be attributed to the design and layout of the pipework.

- Round pipes:**
We recommend
Internal diameter: **6"**.
- Flat ducts** must have an internal cross-section that equates to that of round pipes.
There should be no sharp bends.
 \varnothing 6" approx. 28,3 inches²
- If pipes have different diameters:**
Insert sealing strip.
- For exhaust-air mode,** ensure that there is an adequate supply of fresh air.

Connecting a \varnothing 6" exhaust-air pipe:

- Mount the pipe directly onto the air outlet on the hood.



Prior to installation

Preparing the ceiling

- The ceiling must be flat and horizontal.
- Ensure that the ceiling is capable of providing a firm hold for mounting screws and plugs. The enclosed plugs are suitable for concrete and stonework. If the ceiling is made of any other material, use appropriate mounting components.

Weight in kg: 40,5.

We reserve the right to construction changes within the context of technical development.

Electrical connection

⚠ WARNING: THIS APPLIANCE MUST BE EARTHED

IMPORTANT: Fitting a Different Plug:

The wires in the mains lead are coloured in accordance with the following code:

Green and Yellow	– Earth
Blue	– Neutral
Brown	– Live

If you fit your own plug, the colours of these wires may not correspond with the identifying marks on the plug terminals.

This is what you have to do:

1. Connect the green and yellow (Earth) wire to the terminal in the plug marked 'E' or with the symbol (\equiv), or coloured green or green and yellow.
2. Connect the blue (Neutral) wire to the terminal in the plug marked 'N' or coloured white.
3. Connect the brown (Live) wire to the terminal marked 'L', or coloured black.

Electrical connection

The **extractor hood** may be connected to correctly installed earthed sockets only. Preferably attach the earthed sockets directly behind the flue duct.

NOTE:

An additional earthed socket is required for connecting the screen to the power supply.

- The earthed socket should be connected via its own circuit.
- If the earthed socket is no longer accessible following installation of the extractor hood, ensure that there is a permanently installed disconnecter.

If it is necessary to wire the extractor hood directly into the mains:

The extractor hood should only be connected to the electricity supply by a properly qualified electrician.

A separator must be installed in the household circuit. A suitable separator is a switch that has a contact gap of more than 1/8" and interrupts all poles. Such devices include circuit breakers and contactors.

⚠ CAUTION:

If the connecting cable for this appliance is damaged, the cable must be replaced by the manufacturer or his customer service or a similarly qualified person in order to prevent serious injury to the user.

Electrical data:

Are to be found on the name plate inside the appliance after removal of the filter frame.

⚠ WARNING: Before undertaking any repairs, always disconnect the extractor hood from the electricity supply.

Length of the connecting cable: 51 1/8".

This extractor hood corresponds to EC regulations concerning RF interference suppression.

Installation

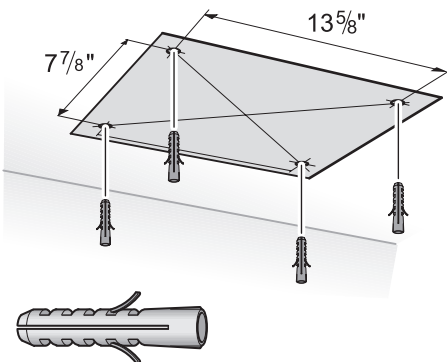
The **extractor hood** is designed to be fitted to the kitchen ceiling or a rigid suspended ceiling.

⚠ CAUTION:

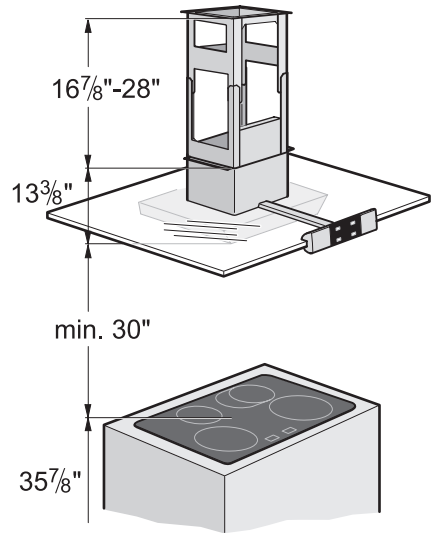
Ensure that the minimum distance between hotplate and extractor hood is **30"** for electric hotplates and **30"** for gas hotplates.

1. Mark the centre point of the extractor hood on the ceiling.
2. Using the template, mark screw positions on the ceiling.
3. Drill 2x $\frac{1}{4}$ " \varnothing holes and insert wall plugs flush with the ceiling.

Note: At least one screw for the mounting must be installed through a stud.

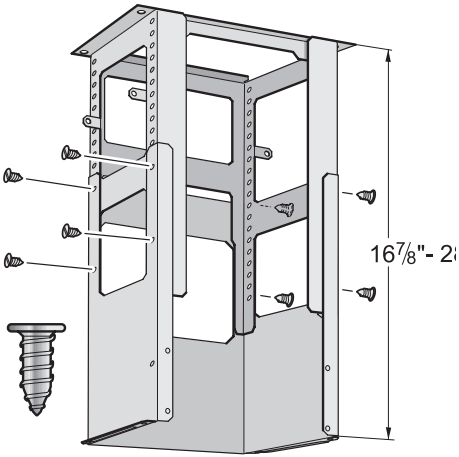


4. Determine the overall height of the support frame.
 - This is the height of the ceiling, the height of the base and the distance between the hob and extractor hood.



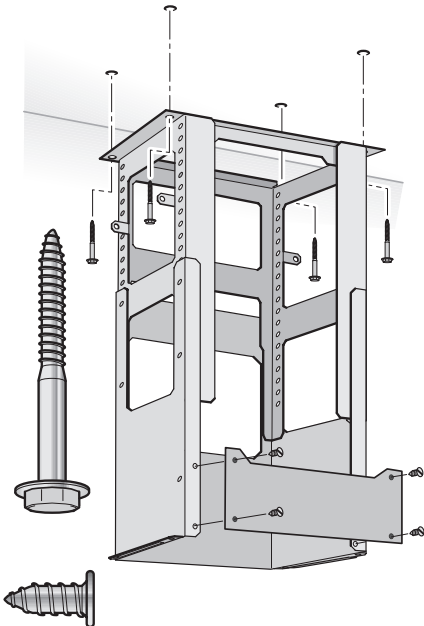
Installation

5. Screw together the upper and lower sections of the support frame at the specified overall height with 8 screws.

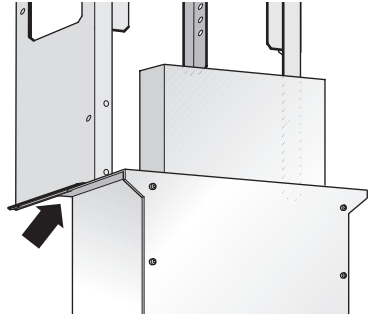


6. Screw the support frame to the ceiling with 4 screws.

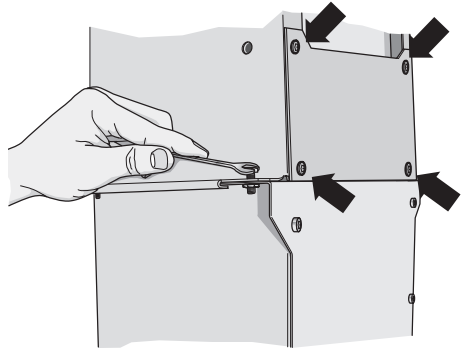
7. Remove the panel.



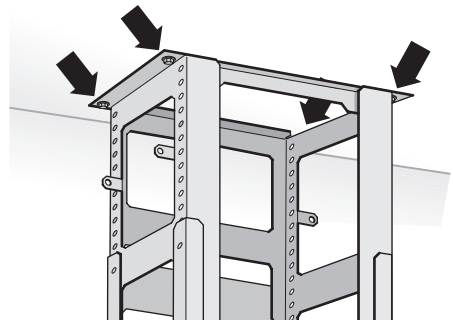
8. Insert the extractor hood over the installation aids on the support frame.



9. Screw the extractor hood to the support frame and screw back the panel.

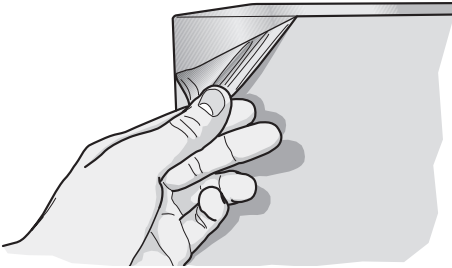


10. Align the extractor hood. To do this, loosen the ceiling screws in the support frame.



Installation

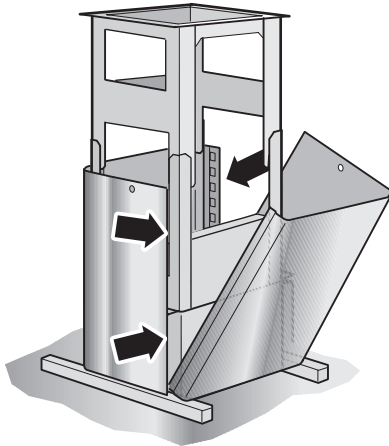
11. Connect the pipes.
12. Connect the power.
13. Carefully remove the protective foil.



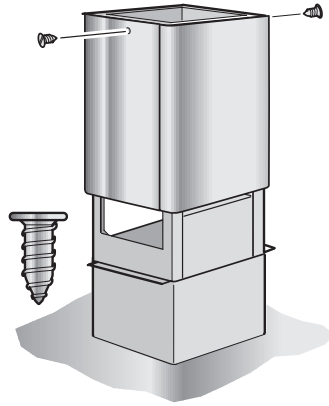
14. Place the two sections of the upper flue on the extractor hood and clip together.

⚠ CAUTION:

Protect the extractor hood from damage.



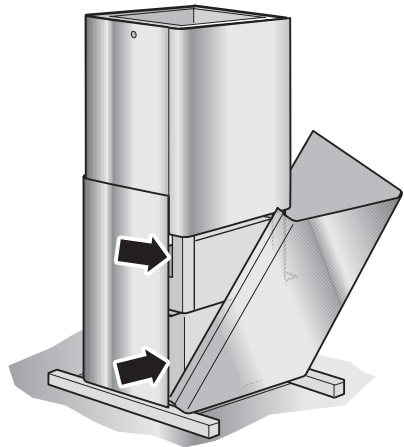
15. Push up the upper flue section and screw into position.



16. Insert the two sections of the lower flue and clip together.

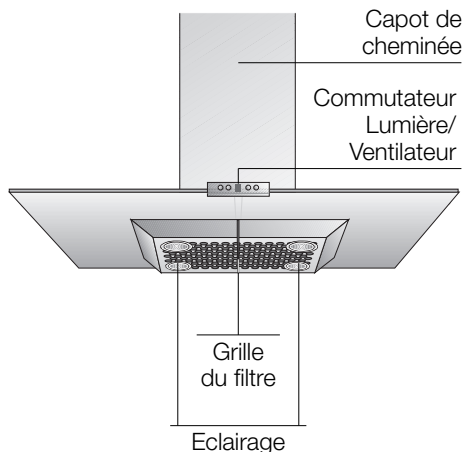
⚠ CAUTION:

Protect the extractor hood from damage.



Mode d'emploi:

Description de l'appareil



Modes de fonctionnement

Air évacué à l'extérieur:

- Le ventilateur de la hotte aspire les buées de cuisson qui traversent un filtre à graisse avant de regagner l'atmosphère extérieure.
- Ce filtre retient les particules grasses solides en suspension dans les buées de cuisson.
- Les particules grasses ne se déposent plus dans la cuisine, les odeurs de cuisson disparaissent.

⚠ AVERTISSEMENT

Si la hotte évacue l'air à l'extérieur et si le logement comporte des moyens de chauffage (tels par ex. des appareils de chauffage au gaz, au fuel ou au charbon, chauffe-eau instantanés ou à accumulation) **raccordés à une cheminée, veiller impérativement à ce que l'apport d'air soit suffisant** pour assurer la marche du chauffage à combustion.

Un fonctionnement sans risque est possible si la dépression dans le local où le foyer de chauffage est implanté ne dépasse pas 4 Pascals (0,04 mbars).

Modes de fonctionnement

On y parvient en présence d'ouvertures non obturables ménagées par ex. dans les portes, fenêtres et en association avec des ventouses télescopiques d'admission/ évacuation de l'air à travers la maçonnerie ou par d'autres mesures techniques telles qu'un verrouillage réciproque ou assimilé permettant à l'air d'affluer pour assurer la combustion.

En cas d'afflux d'air insuffisant, risque d'intoxication par réaspiration des gaz de combustion.

La présence d'une ventouse télescopique d'apport et d'évacuation d'air ne suffit pas à assurer le respect de la valeur limite.

Remarque: lors de l'évaluation de la situation, toujours tenir compte de l'ensemble des moyens d'aération du logement. Cette règle ne vaut généralement pas si vous utilisez des appareils de cuisson (table de cuisson et cuisinière à gaz).

Avant la première utilisation

Remarques importantes:

- ❑ La présente notice d'emploi vaut pour plusieurs versions de l'appareil. Elle peut contenir des descriptions d'accessoires ne figurant pas dans votre appareil.
- ❑ Cette hotte aspirante est conforme aux dispositions de sécurité applicables. Les **réparations** ne doivent être effectuées que par un spécialiste.


ATTENTION

Des réparations inexpertes s'assortissent de risques considérables pour l'utilisateur.

- ❑ Lisez attentivement la présente notice d'emploi avant d'utiliser votre appareil pour la première fois. Elle contient des informations importantes non seulement pour votre sécurité mais aussi pour l'utilisation et l'entretien de l'appareil.
- ❑ Rangez la présente notice de montage et d'emploi soigneusement pour pouvoir la remettre à un futur propriétaire de l'appareil.
- ❑ Cet appareil est marqué selon la directive européenne 2002/96/CE relative aux appareils électriques et électroniques usagés (waste electrical and electronic equipment – WEEE). La directive définit le cadre pour une reprise et une récupération des appareils usagés applicables dans les pays de la CE.



Tables de cuisson au gaz / Cuisinières à gaz

 Ne faites jamais marcher tous les foyers au gaz en même temps et à pleine puissance pendant assez longtemps (15 minutes max.), sinon vous risquez de vous brûler en touchant la surface du corps de la hotte, ou d'endommager carrément cette dernière. Si la hotte doit marcher au-dessus d'une table de cuisson au gaz, faites simultanément marcher la hotte à la puissance d'aspiration maximale si vous avez allumé trois foyers ou plus.

Avant la première utilisation

⚠ INSTRUCTIONS DE SÉCURITÉ

Ne flambez aucun mets sous la hotte. Les flammes risqueraient d'atteindre le filtre à graisse et d'y mettre le feu.

Lorsque les foyers sont allumés, des ustensiles de cuisson doivent toujours se trouver dessus.

L'utilisation de cette hotte aspirante au-dessus d'un foyer à combustibles solides et gazeux (charbon, bois et assimilés) est interdite (voir la notice de montage).

Ne faites pas fonctionner tous les foyers en même temps à la puissance maximale pendant une période prolongée (15 minutes max.) car vous risquez de vous brûler en touchant les surfaces du boîtier de la hotte, ou vous risquez d'endommager cette dernière. Lorsque la hotte aspirante fonctionne au-dessus d'une table de cuisson, réglez la hotte sur la puissance d'aspiration maximale si trois foyers ou plus de la table sont allumés.

Si l'appareil est endommagé, sa mise en service est proscrite.

Lorsque les enfants sont assez âgés pour utiliser l'appareil, il incombe aux parents ou tuteur légal de s'assurer que les enfants connaissent les pratiques sécuritaires.

Le branchement et la mise en service ne doivent être effectués que par un spécialiste.

Si le cordon d'alimentation de cet appareil a été endommagé, il faut confier son remplacement au fabricant ou à son service après-vente, ou encore à une personne possédant des qualifications identiques, pour éviter de créer des risques.

Éliminez les matériaux d'emballage conformément à la réglementation (voir la notice de montage).

Cette hotte aspirante n'est destinée à servir que pour couvrir les besoins d'un ménage.

Ne faites marcher la hotte aspirante qu'ampoules montées sur leur douille.

Remplacez immédiatement les ampoules défectueuses pour empêcher une surcharge des ampoules restantes.

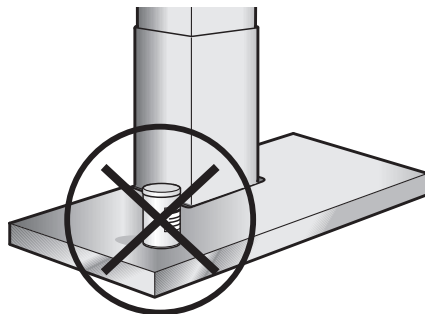
N'utilisez jamais la hotte aspirante sans filtre à graisse.

Les graisses ou huiles surchauffées peuvent s'enflammer facilement.

Par conséquent, surveillez toujours les plats (frites par ex.) qui se préparent à l'aide de matières grasses ou d'huiles.

Avant la première mise en service, nettoyez soigneusement la hotte aspirante.

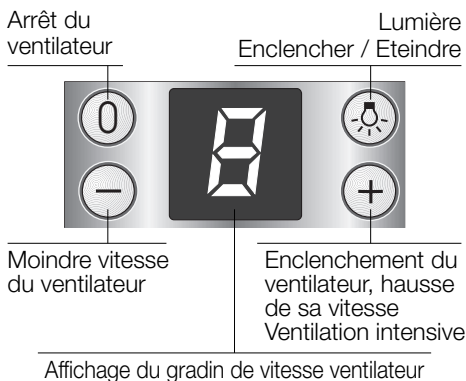
Ne posez rien sur la hotte aspirante.



Utilisation de la hotte aspirante

La méthode la plus efficace pour supprimer les buées de cuisson consiste à:


- Enclencher la hotte aspirante** en début de cuisson.
- Eteindre la hotte aspirante** quelques secondes seulement après la fin de la cuisson.



Signal sonore:

- Lorsque vous appuyez sur une touche, un signal sonore retentit à titre de confirmation.

Coupure du signal sonore:

- Appuyez simultanément sur les touches  et - jusqu'à ce que, env. 3 secondes plus tard, un signal retentisse.

Enclenchement du signal sonore:

- Répétez cette opération.

Enclenchement du ventilateur:

- Appuyez sur la touche +.

Réglage du ventilateur sur la vitesse désirée:

- Appuyez sur la touche +.
Le ventilateur passe au gradin de vitesse immédiatement supérieur.
- Appuyez sur la touche -.
Le ventilateur passe au gradin de vitesse immédiatement inférieur.

Coupure du ventilateur:

- Appuyez sur la touche 0.

Ou:


- Appuyez sur la touche - autant de fois que nécessaire à ce que le ventilateur s'éteigne.

Ventilation intensive:

Au niveau intensif, le ventilateur développe sa plus grande puissance. Vous n'en aurez que brièvement besoin.

- Appuyez sur la touche + autant de fois que nécessaire à ce que la lettre **P** s'affiche.
- Si vous n'éteignez pas manuellement la ventilation intensive, le ventilateur revient automatiquement à la vitesse **2** au bout de 10 minutes.

Eclairage:

- Vous pouvez utiliser l'éclairage à tout moment, même quand le ventilateur est éteint.
- Réglage de la luminosité:**
Maintenez la touche  appuyée jusqu'à atteindre la luminosité voulue.

Filtere et entretien

Filteres à graisse:

Vous pouvez utiliser divers filteres pour retenir les particules grasses en suspension dans les buées de cuisson.

Ces nattes filtrantes sont en métal incombustible.

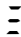
⚠ ATTENTION

Plus elles se saturent en particules grasses et plus elles risquent de s'enflammer. D'autre part, leur saturation risque de gêner le bon fonctionnement de la hotte.

IMPORTANT

Prévenez tout risque d'incendie en nettoyant à temps les filteres à graisse en métal. Ce risque est dû à l'accumulation de chaleur pendant la friture ou le rôtissage.

Indicateur de saturation:

Lorsque les filteres à graisse sont saturés, un signal retentit pendant 6 secondes après la coupure du ventilateur et la lettre  est allumée. Vous devrez nettoyer les filteres à graisse au plus tard à ce stade de saturation.

Nettoyage des filteres à graisse en métal:

- En service normal (1 à 2 heures par jour), il faudra nettoyer les filteres à graisse métalliques 1 fois par mois.
- Ces filteres sont nettoyables au lave-vaisselle. Ils peuvent changer légèrement de couleur au lavage.
- Le filtre doit reposer non serré dans le lave-vaisselle. Il ne doit pas être coincé.

IMPORTANT:

Ne lavez pas en même temps la vaisselle et les filteres métalliques fortement saturés en matière grasse.

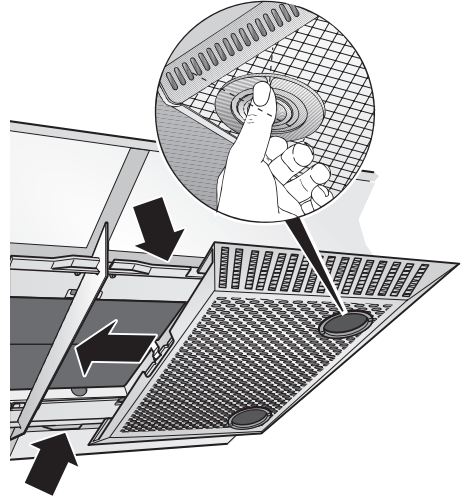
- Si vous les nettoyez à la main, mettez les filteres à tremper pendant plusieurs heures dans de l'eau très chaude additionnée de produit à vaisselle. N'utilisez pas de détergents agressifs, contenant un acide ou une base. Ensuite, brossez les filteres, rincez-les bien puis laissez-les goutter.

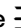
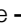
Retrait et mise en place des filteres à graisse en métal:

⚠ AVERTISSEMENT

les ampoules halogènes doivent s'être éteintes et avoir refroidi.

1. Faites tourner les deux pattes de verrouillage visibles sur le filtre à graisse puis extrayez le filtre à graisse par le côté.



2. Nettoyez le filtre à graisse.
3. Une fois le filtre à graisse nettoyé, remettez-le en place.
4. **Faites s'effacer la lettre .**
 - Appuyez sur la touche .

Nettoyage et entretien

Avant tout nettoyage et entretien, mettez d'abord la hotte hors tension en débranchant la fiche mâle de la prise de courant ou en coupant le disjoncteur/fusible.

REMARQUE:

Ne nettoyez pas la hotte aspirante à l'aide d'éponges à dos récurant. N'utilisez pas non plus de produits de nettoyage contenant du sable, de la soude, de l'acide ou du chlorure.

- Pour la nettoyer, utilisez de l'eau chaude additionnée de produit à vaisselle ou un liquide non agressif à laver les fenêtres.
- Ne tentez pas de gratter les salissures. Ramollissez-les avec un essuie-tout humide.
- Lors du nettoyage des filtres à graisse, nettoyez la graisse qui s'est déposée dans les endroits accessibles du corps de hotte. Vous prévenez ainsi les risques d'incendie et garantissez ainsi un fonctionnement optimal de la hotte.

Écran et touches de commande:

- Ne les nettoyez qu'à l'aide d'un chiffon doux, lui-même humecté avec de l'eau additionnée de produit à vaisselle doux.
- N'utilisez pas de produit nettoyant pour acier inoxydable.

Surfaces en acier inox:

- Veuillez utiliser un produit pour l'acier inox qui le nettoie sans le rayer.
- Frottez toujours l'acier inox dans le sens de son polissage.
- Nous recommandons notre détergent pour acier inoxydable, n° de réf. 461731. Adresse où passer commande : voir le manuel du SAV.

Surfaces en aluminium, peintes et en matière plastique :

- N'utilisez pas de chiffons secs.
- Utilisez un produit pour vitres mais non agressif.
- N'utilisez pas de détergents agressifs, contenant un acide ou une base.

Respectez les conditions de garantie figurant dans le cahier de service joint.

Changer les ampoules halogènes

1. Avant tout nettoyage et entretien, mettez d'abord la hotte hors tension en débranchant la fiche mâle de la prise de courant ou en coupant le disjoncteur/fusible.

⚠ ATTENTION:

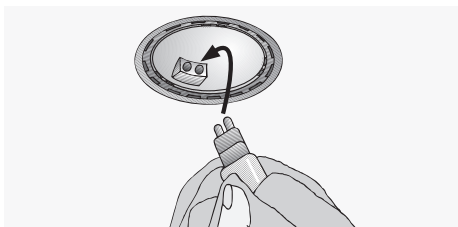
Les ampoules halogènes allumées deviennent très chaudes. Le risque de vous brûler demeure, même un moment après les avoir éteintes.

2. Retirez l'anneau de l'ampoule avec un tournevis ou assimilé.



3. Changez l'ampoule halogène (ampoule halogène en vente habituelle dans le commerce, 12 volts, 20 watts maxi., douille G4).

REMARQUE: douille à enfichage.
Ne saisissez l'ampoule qu'avec un chiffon propre.



4. Réencrantez l'anneau de l'ampoule.
5. Pour remettre la hotte sous tension, rebranchez la fiche mâle dans la prise de courant ou remontez le fusible/réarmez le disjoncteur.

REMARQUE:

si l'éclairage ne fonctionne pas, contrôlez si les ampoules sont correctement enfoncées.

Dérangements

Si $\bar{\square}$ apparaît à l'indicateur:

- Voir la section intitulée "Filtre et entretien".

Si les touches de la hotte aspirante restent inopérantes:

- Débranchez pendant une minute environ la fiche mâle de la hotte aspirante ou retirez le fusible pour la mettre hors tension.
Ensuite, réenclenchez la hotte.

Si vous avez des questions à poser ou en cas de dérangement, appelez s.v.p. le service après-vente.

(Voir la liste des agences du service après-vente).

Lors de votre appel, veuillez mentionner les numéros suivants:

N° E	FD
------	----

Inscrivez les numéros correspondants de votre hotte dans le cadre ci-dessus. Ces numéros se trouvent à l'intérieur de l'appareil, sur la plaque signalétique accessible une fois la grille de filtre retirée.

IMPORTANT:

Si des réclamations résultent de la conception et de la pose de la conduite, le fabricant de la hotte aspirante décline toute garantie.

Notice de montage:

Remarques importantes

Les anciens appareils ne sont pas des déchets sans valeur.

Leur élimination respectueuse de l'environnement permet de récupérer de précieuses matières premières. Avant de vous débarrasser de l'appareil, rendez-le inutilisable.

Pour vous parvenir en parfait état, votre nouvel appareil a été conditionné dans un emballage qui le protège efficacement. Tous les matériaux d'emballage utilisés sont compatibles avec l'environnement et recyclables. Aidez-nous à éliminer l'emballage en respectant l'environnement. Demandez à votre revendeur ou à votre mairie quelles sont les formes de recyclage actuellement possibles.

Cette hotte aspirante ne peut fonctionner qu'en mode Evacuation de l'air à l'extérieur.

Fixez toujours la hotte bien centrée au-dessus des foyers de la table de cuisson.

L'écart minimum entre les foyers électriques et le bord inférieur de la hotte doit être de **30"**, voir fig. 1.

Au-dessus d'un foyer à combustible solide générateur d'un risque d'incendie (par projection d'étincelles par ex.), le montage de la hotte ne sera admis que si ce foyer est équipé d'un **couverture fermé et inamovible** et si le montage ne contrevient pas à la réglementation nationale. Cette restriction ne vaut pas pour les cuisinières à gaz et les foyers aux gaz.

Plus l'écart est faible entre la hotte aspirante et les foyers et plus il se pourra que la vapeur montant des casseroles se condense et forme des gouttes sur la face inférieure de la hotte.

Remarques supplémentaires concernant les cuisinières à gaz:

Lors du montage de foyers gaz, veuillez respecter les dispositions légales en vigueur dans votre pays (En Allemagne par ex: les Règles technique TRGI régissant l'installation du gaz).

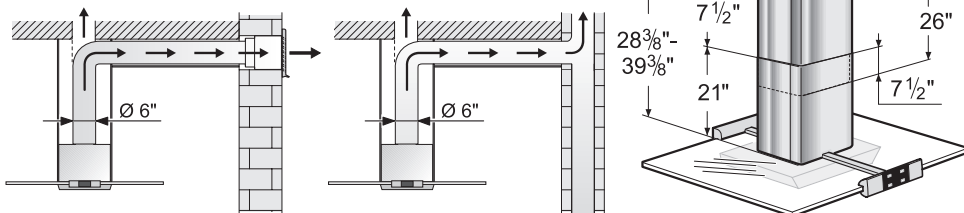
Respectez les prescriptions et consignes d'encastrement en leur version applicable publiées par les fabricants d'appareils au gaz.

La hotte aspirante ne pourra cotoyer que sur un côté un meuble haut ou une paroi haute. Ecart minimum: 2".

Ecart minimum, en présence de foyers au gaz, entre le bord supérieur de la grille support et le bord inférieur de la hotte: **30"**, voir fig. 1.

Avant le montage

Evacuation de l'air à l'extérieur



L'air vicié est évacué vers le haut par un conduit d'aération ou directement à l'air libre par traversée du mur extérieur.

⚠ AVERTISSEMENT

L'air vicié ne doit jamais être évacué vers une cheminée en service, rejetant des fumées ou des gaz de combustion, ni vers un conduit servant à l'aération de locaux dans lesquels se trouvent des foyers à combustibles solides, liquides et gazeux.

Le mode d'évacuation de l'air vicié devra être conforme aux arrêtés municipaux, préfectoraux, et aux prescriptions légales (par ex. aux ordonnances publiques applicables au bâtiment).

Si l'air vicié doit être évacué par des cheminées d'évacuation des fumées et gaz de combustion qui ne sont pas en service, veuillez respecter la réglementation locale et nationale applicable.

⚠ AVERTISSEMENT

Si la hotte évacue l'air à l'extérieur et si le logement comporte des moyens de chauffage (tels par ex. des appareils de chauffage au gaz, au fuel ou au charbon, chauffe-eau instantanés ou à accumulation) **raccordés à une cheminée, veiller impérativement à ce que l'apport d'air soit suffisant** pour assurer la marche du chauffage à combustion.

Un fonctionnement sans risque est possible si la dépression dans le local où le foyer de chauffage est implanté ne dépasse pas 4 Pascals (0,04 mbars).

On y parvient en présence d'ouvertures non obturables ménagées par ex. dans les portes, fenêtres et en association avec des ventouses télescopiques d'admission/ évacuation de l'air à travers la maçonnerie ou par d'autres mesures techniques telles qu'un verrouillage réciproque ou assimilé permettant à l'air d'affluer pour assurer la combustion.

En cas d'afflux d'air insuffisant, risque d'intoxication par réaspiration des gaz de combustion.

La présence d'une ventouse télescopique d'apport et d'évacuation d'air ne suffit pas à assurer le respect de la valeur limite.

Remarque: lors de l'évaluation de la situation, toujours tenir compte de l'ensemble des moyens d'aération du logement. Cette règle ne vaut généralement pas si vous utilisez des appareils de cuisson (table de cuisson et cuisinière à gaz).

Si l'air vicié traverse le mur extérieur, utilisez une ventouse télescopique.

Avant le montage

Pour que la hotte aspirante ait le meilleur rendement, veillez à ce que:

- Le conduit d'évacuation soit court et lisse.
- Il ait le moins possible de coudes.
- Il ait le plus fort diamètre et que les coudes soient les plus arrondis possibles.

L'emploi de conduits d'air viciés longs, rugueux, formant de nombreux coudes ou d'un trop petit diamètre fait descendre le débit d'air en dessous du débit optimal, tout en accroissant le bruit d'aspiration.

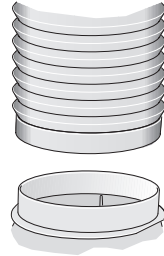
IMPORTANT:

Si des réclamations résultent de la conception et de la pose de la conduite, le fabricant de la hotte aspirante décline toute garantie.

- Conduits de section ronde:**
Nous recommandons des conduits au diamètre intérieur de **6"**.
- Les conduits plats** doivent avoir une **section intérieure équivalente** au diamètre intérieur des conduits ronds.
Les conduits ne doivent comporter aucun coude prononcé.
 $6" \phi = 28,3 \text{ inches}^2$ de section.
- Si les conduits ont des diamètres différents:** utilisez du ruban adhésif à étancher.
- Si la hotte évacue l'air à l'extérieur,** veillez à ce que l'apport d'air soit suffisant.

Branchement du conduit d'évacuation ϕ 6":

- Fixez le conduit d'évacuation directement sur l'orifice.



Avant le montage

Préparation du plafond

- ❑ Le plafond doit être plat et horizontal.
- ❑ Veillez à ce que les chevilles soient bien fixées. Les chevilles ci-jointes conviennent pour fixer la hotte dans un mur/plafond en béton ou en pierre naturelle.
Si le matériau constitutif du plafond est différent, veuillez utiliser des moyens de fixation appropriés.

Poids en kg: 40,5

Sous réserve de modifications constructives dans l'intérêt du progrès technique.

Branchement électrique

La **hotte aspirante** et l'**écran** ne pourront être raccordés qu'à des prises femelles à contacts de terre réglementairement installées.

Montez les prises femelles à contact de terre de préférence derrière le capot de cheminée (voir la figure illustrant la procédure d'incorporation).

REMARQUE:

Pour pouvoir raccorder l'écran au secteur, il faut installer une prise supplémentaire à contacts de terre.

- ❑ La prise à contacts de terre doit être raccordée à son propre circuit.
- ❑ Si, après le montage de la hotte aspirante, la prise à contacts de terre n'est plus accessible, il faudra installer un dispositif de coupure, comme s'il s'agissait d'un branchement définitif.

Si le cordon doit être raccordé définitivement au secteur:

Dans ce cas, le branchement de la hotte ne pourra être effectué que par un électricien-installateur agréé auprès de la compagnie locale/nationale distributrice d'électricité.


Prévoir un dispositif de coupure côté secteur. Valent comme tel les commutateurs dont l'ouverture entre contacts dépasse $\frac{1}{8}$ " et qui sectionnent tous les pôles. Figurent parmi eux également les disjoncteurs et contacteurs.

ATTENTION:

Si le cordon d'alimentation de cet appareil a été endommagé, il faut confier son remplacement au fabricant ou à son service après-vente, ou encore à une personne possédant des qualifications identiques, pour éviter de créer des risques.

Caractéristiques électriques:

Vous les trouverez après avoir retiré le cadre pour filtre, sur la plaque signalétique, à l'intérieur de l'appareil.

 **AVERTISSEMENT:** Toujours mettre l'appareil hors tension **avant d'effectuer des réparations.**

Longueur du cordon de branchement: 51 $\frac{1}{8}$ ".

Cette hotte aspirante est conforme aux dispositions CE sur l'antiparasitage des appareils électriques.

Encastrement

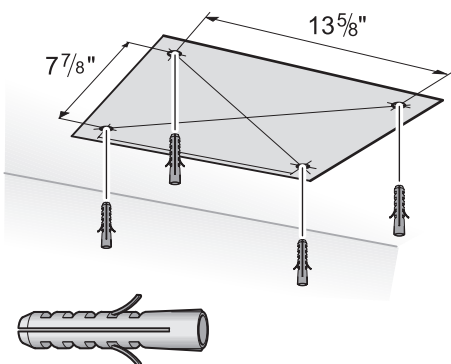
La **hotte aspirante** est prévue pour être installée au plafond de la cuisine ou à un faux plafond stable.

ATTENTION:

L'écart minimum entre les foyers et la hotte aspirante doit être de **30"** pour des foyers électriques et de **30"** pour des foyers à gaz.

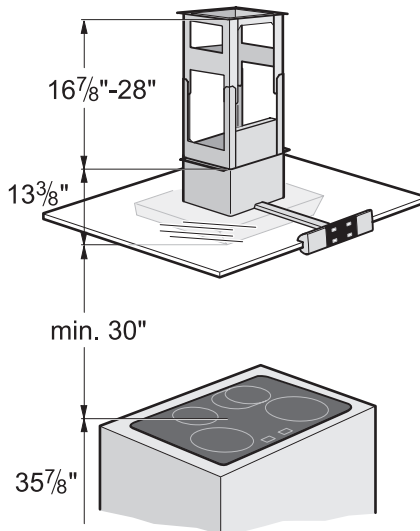
1. Marquez le point central de la hotte sur le plafond.
2. A l'aide du gabarit, marquez les positions des vis sur le plafond.
3. Percez quatre trous de $\frac{1}{4}$ " \varnothing puis enfoncez les chevilles au ras du plafond.

Remarque : posez au moins une vis de montage dans une solive.



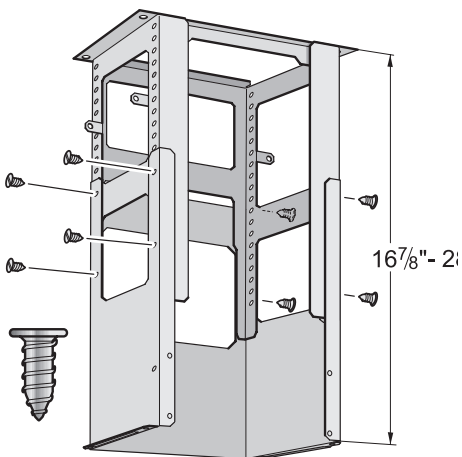
4. Définissez la hauteur totale du support.

- Pour cela, prenez la hauteur du plafond, la hauteur du socle, et les distances correspondantes entre la table de cuisson et la hotte.



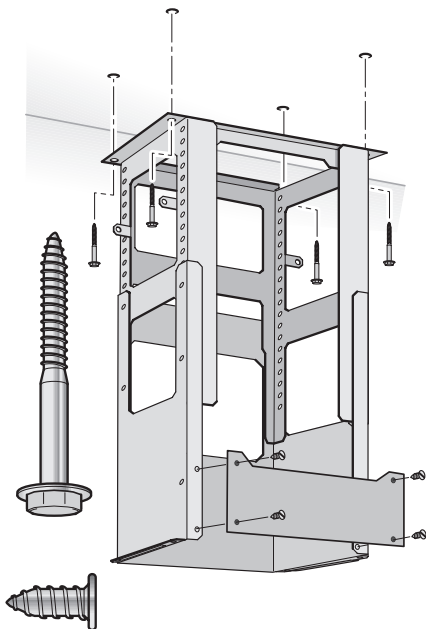
Encastrement

5. A l'aide de huit vis, vissez la partie supérieure à la partie inférieure du support selon la hauteur déterminée.

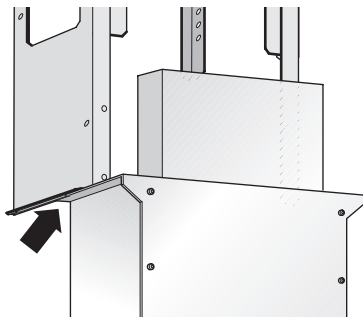


6. Vissez le support au plafond avec quatre vis.

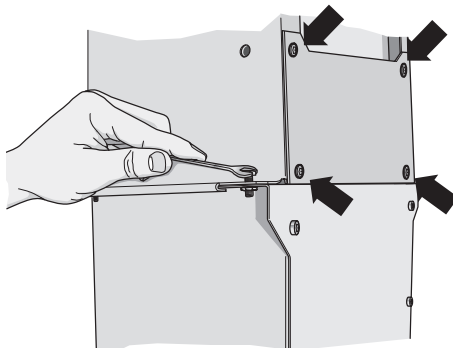
7. Retirez le bandeau.



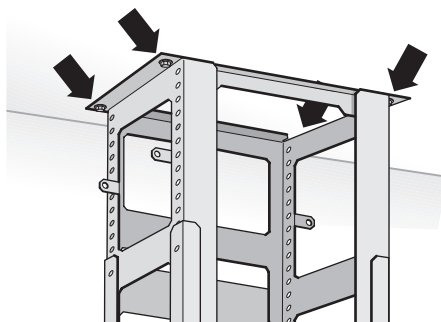
8. Faites glisser la hotte aspirante sur les accessoires de montage du support.



9. Vissez la hotte aspirante sur le support puis revissez le bandeau.

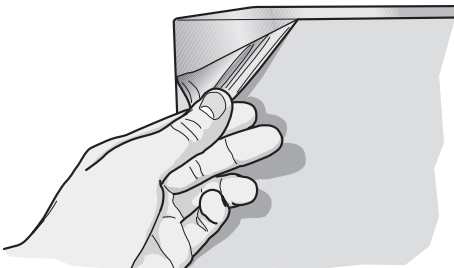


10. Ajustez l'horizontalité de la hotte aspirante en desserrant les vis qui maintiennent le support au plafond.



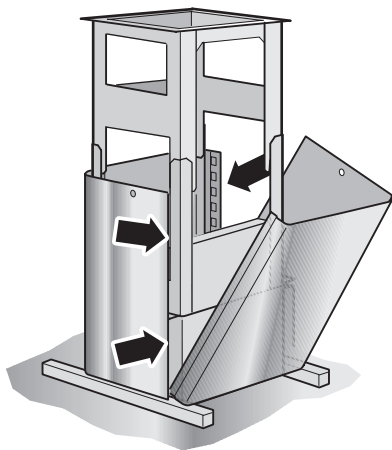
Encastrement

11. Montez le raccord de tuyau.
12. Réalisez le branchement électrique.
13. Ôtez avec soin les feuilles de protection.

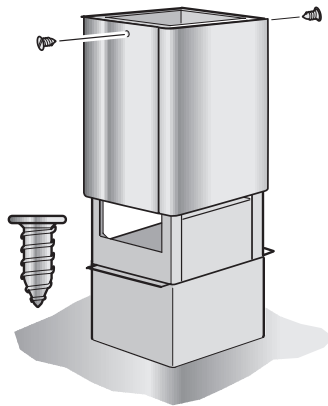


14. Placez sur la hotte aspirante les deux parties de la cheminée supérieure puis rassemblez-les en les clipsant.

⚠ Ce faisant, protégez la hotte aspirante contre d'éventuels dégâts.

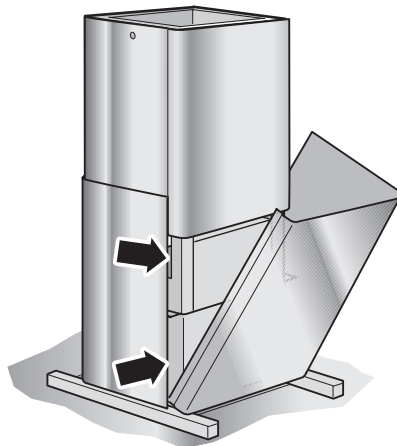


15. Faites glisser la cheminée supérieure puis vissez à fond.



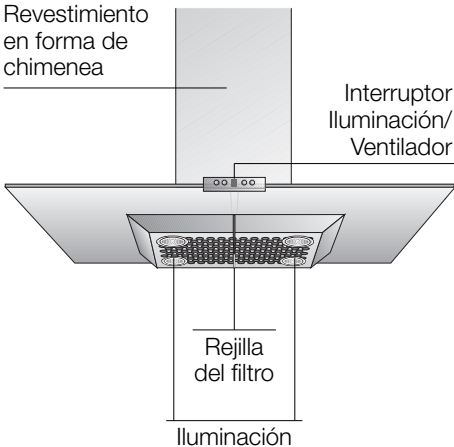
16. Mettez en place les deux parties de la cheminée inférieure puis rassemblez-les en les clipsant.

⚠ Ce faisant, protégez la hotte aspirante contre d'éventuels dégâts.



Instrucciones para el uso:

Descripción del aparato



Modalidades de funcionamiento

Evacuación del aire hacia el exterior:

- El ventilador que incorpora la campana extractora aspira los vahos de la cocina y los evacúa hacia el exterior, haciéndolos pasar previamente a través del filtro antigrasa.
- El filtro antigrasa absorbe las partículas sólidas contenidas en los vahos de la cocina.
- La cocina queda así prácticamente libre de grasa y olores.

⚠ ADVERTENCIA

Si se utiliza la campana con evacuación del aire al exterior simultáneamente con un hogar dependiente de una chimenea (por ejemplo calefacciones de gas, gas-oil o carbón, calentadores instantáneos, calentadores de agua), **hay procurar que exista una suficiente alimentación de aire**, necesario para el proceso de combustión del hogar.

Este funcionamiento es posible sin peligro si en el local de emplazamiento del hogar no se sobrepasa la depresión admisible de 4 Pa (0,04 mbares).

Modalidades de funcionamiento

Para ello, es necesario que existan aperturas no bloqueables por las que el aire de combustión pueda renovarse y ventilarse sin dificultad, por ejemplo por puertas, ventanas o cajas murales para la alimentación o evacuación del aire o también pueden tomarse otras otras medidas como por ejemplo instalando cerrojos invertidos o similares.

Cerciorarse de que existe una alimentación suficiente del aire. De lo contrario el aire evacuado se vuelve a utilizar para la admisión y se corre el peligro de intoxicación.

La sola presencia de una caja mural para alimentación o evacuación del aire, sin embargo, no constituye una garantía para la observación de los límites de tolerancia válidos.

Nota: En las consideraciones y valoraciones a este respecto siempre habrá que tener en cuenta todo el conjunto del sistema de ventilación existente en la vivienda. Esta regla no es válida para las cocinas y placas de cocción de gas.

Antes de la primera utilización

Antes de la puesta en marcha inicial del aparato:

- ❑ Las presentes instrucciones de servicio son válidas para diferentes modelos de aparato; por ello puede ser posible que se describan detalles y características de equipamiento que no concuerden íntegramente con las de su aparato concreto.
- ❑ Esta campana extractora cumple las normas y disposiciones específicas en materia de seguridad.

Las reparaciones que fuera necesario efectuar en el aparato sólo podrán ser ejecutadas por técnicos especializados del ramo.

PRECAUCIÓN

Las reparaciones ejecutadas de modo erróneo o incorrecto pueden dar lugar a situaciones de serio peligro para el usuario.

- ❑ Antes de emplear el aparato nuevo deberá leer detenidamente las instrucciones de servicio de la cocina eléctrica.
En ella se facilitan informaciones y consejos importantes para su seguridad personal, así como para el correcto manejo y cuidado de la cocina.
- ❑ Guarde las instrucciones de servicio y de montaje para un posible propietario posterior.
- ❑ Este aparato cumple con la Directiva europea 2002/96/CE sobre aparatos eléctricos y electrónicos identificada como (Residuos de aparatos eléctricos y electrónicos). La directiva proporciona el marco general válido en todo el ámbito de la Unión Europea para la retirada y la reutilización de los residuos de los aparatos eléctricos y electrónicos.



Antes de la primera utilización

⚠ INSTRUCCIONES DE SEGURIDAD

No preparar alimentos o platos flameados directamente debajo de la campana extractora.

La grasa acumulada en el filtro antigrasa podría incendiarse por las llamas que suben!

Las llamas de los quemadores de gas de las zonas de cocción deberán encontrarse siempre cubiertas con un recipiente.

La campana extractora no es adecuada para el montaje por encima de hogares para combustibles sólidos o en forma de gas (carbón, leña, etc.). Véanse al respecto las instrucciones de montaje.

No usar simultáneamente todas las zonas de cocción de la placa o cocina ajustadas a su máxima potencia durante un período prolongado (como máximo 15 minutos), de lo contrario existe peligro de quemadura al entrar en contacto con la superficie del aparato o se pueden ocasionar daños en la campana extractora. En caso de instalar y usar la campana extractora montada por encima de una placa encimera, la campana deberá trabajar a su máxima potencia si se usan simultáneamente tres o más zonas de cocción.

Si el aparato presentara daños o desperfectos, no deberá ser utilizado.

Cuando los niños llegan a una edad suficiente para operar el aparato, es la responsabilidad legal de los padres o de los tutores legales asegurar que personas calificadas los instruyan sobre prácticas seguras.

La conexión y puesta en marcha del aparato sólo podrán ser efectuadas por un técnico especialista del ramo.

En caso de producirse daños en el cable de conexión del aparato, éste sólo podrá ser sustituido por el fabricante, un técnico especializado del Servicio de Asistencia Técnica Oficial o un técnico especializado del ramo, a fin de evitar situaciones de peligro.

Elimine los envases y el material de embalaje de acuerdo a las normas correspondientes para la protección del medio ambiente (véanse al respecto las instrucciones de montaje de la campana extractora).

La presente campana extractora sólo es adecuada para uso doméstico.

Utilizar la campana extractora sólo con las lámparas de iluminación montadas.

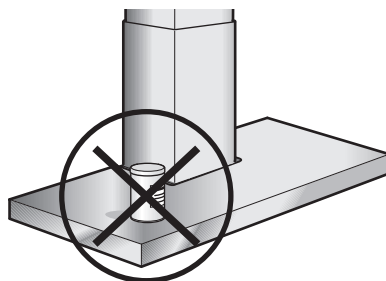
Sustituir inmediatamente las lámparas defectuosas a fin de evitar la sobrecarga de las lámparas restantes.

No usar nunca la campana extractora sin incorporar el filtro antigrasa.

Las grasas y aceites calentados excesivamente pueden inflamarse rápidamente. Por ello los alimentos o platos que requieran grasa o aceite caliente, como por ejemplo patatas fritas, etc., sólo deberán prepararse bajo vigilancia.

Limpiar a fondo la campana extractora antes de usarla por vez primera.

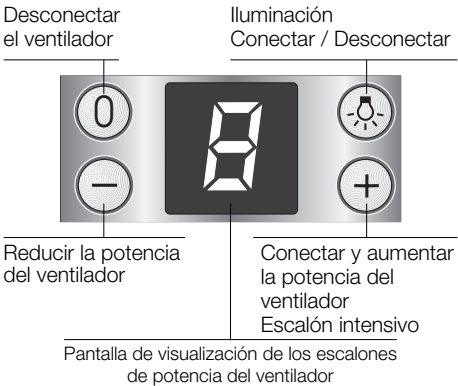
No colocar objetos encima de la campana.



Manejo de la campana extractora

La manera más eficaz de absorber los vahos producidos en la cocina durante la preparación de los alimentos es:

- Conectando la campana extractora** al comenzar a trabajar.
- Desconectando la campana extractora** al cabo de unos minutos después de haber concluido los trabajos.



Señal acústica:

- Al pulsar una tecla se escucha una señal acústica de confirmación.

Desactivar la señal acústica:

- Pulsar simultáneamente las teclas y **+** hasta que se produzca al cabo de tres segundos una señal acústica.

Activar la señal acústica:

- Repetir la operación descrita más arriba.

Conectar el ventilador:

- Pulsar la tecla **+**.

Conectar el ventilador:

- Pulsar la tecla **+**.
El ventilador pasa a funcionar con un escalón de potencia superior.
- Pulsar la tecla **-**.
El ventilador pasa a funcionar con un escalón de potencia inferior.

Ajustar el escalón de potencia del ventilador:

- Pulsar la tecla **0**.
0:
- Pulsar la tecla de reducción – repetidas veces, hasta que el ventilador se desconecte.

Escalón intensivo:

Seleccionando el escalón de funcionamiento intensivo, el ventilador desarrolla su máxima potencia. Este escalón se suele usar sólo durante cortos períodos.

- Pulsar la tecla **+** repetidas veces, hasta que en la pantalla de visualización se ilumine la letra **P**.
- En caso de no desconectar manualmente el escalón intensivo, el ventilador conmuta al cabo de 10 minutos automáticamente al escalón de potencia **P**.

Iluminación:

- La iluminación se puede conectar en cualquier momento, con independencia de que el ventilador funcione o no.
- Ajustar la intensidad de la iluminación:** Mantener pulsada la tecla hasta alcanzar la intensidad de iluminación deseada.

Filtros y mantenimiento

Filtro antigrasa:

Para retener las partículas de grasa contenidas en el vaho de la cocina se montan filtros metálicos.

Las esterillas de filtro son de metal antiinflamable.


⚠ PRECAUCIÓN

A medida que crece el grado de saturación de la esterilla de filtro con partículas de grasa, aumenta su inflamabilidad, influyendo negativamente en el funcionamiento de la campana.

¡INDICACIÓN!

La limpieza a tiempo de los filtros metálicos, eliminando las partículas de grasa adheridas en el mismo, puede prevenir el peligro de incendio a causa de una acumulación de calor al freír o asar alimentos.

Indicación del grado de saturación de grasa del filtro:

En caso de estar saturados los filtros se activa, tras desconectar el ventilador, durante 6 segundos una señal de aviso acústica, iluminándose en la pantalla de visualización de la campana la letra . En tal caso deberá limpiarse el filtro de la grasa acumulada.

Limpieza del filtro antigrasa metálico:

- Bajo unas condiciones de funcionamiento normal (1 a 2 horas diarias), el filtro antigrasa metálico tiene que limpiarse una vez a mes.
- Los filtros antigrasa metálicos se pueden limpiar en un lavavajillas. Ello puede dar lugar a una ligera decoloración de los mismos.

INDICACIÓN:

No mezclar con la vajilla normal los filtros antigrasa metálicos muy saturados de grasa.

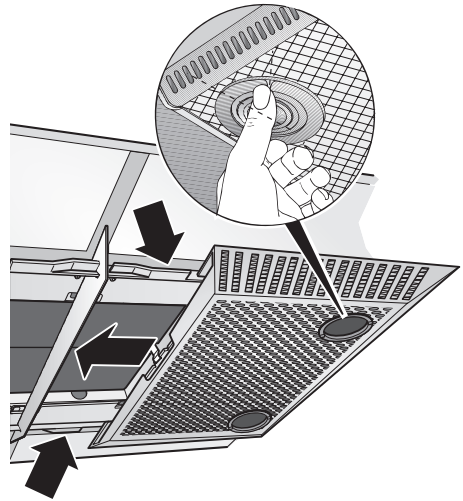
- En caso de limpiar los filtros metálicos a mano, colocar la caja del filtro durante varias horas en una solución detergente (para vajilla) muy caliente, para reblandecer la grasa adherida. No utilizar agentes limpiadores agresivos que contengan ácidos o álcalis. Limpiarlos a continuación con un cepillo, enjuagarlos bien y dejarlos escurrir.

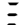
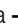
Desmontar y montar los filtros antigrasa metálicos:

⚠ ADVERTENCIA

Las lámparas halógenas tienen que estar desconectadas y frías.

1. Girar los dos cierres del filtro antigrasa y retirar el filtro lateralmente.



2. Limpiar el filtro antigrasa.
3. Montar el filtro antigrasa limpio en su sitio.
4. Borrar la  de la pantalla de visualización.
 - Pulsar la tecla .

Limpieza y cuidados

Desconectar la campana extractora de la red eléctrica extrayendo el cable de conexión de la toma de corriente o a través del fusible.

⚠ NOTA:

No limpiar la campana extractora con esponjas abrasivas ni emplear agentes que contengan arena, sosa, ácidos o cloruro.

- Utilizar una solución de agua y agente lavavajillas de uso corriente caliente para limpiar la campana extractora.
- En caso de suciedad más resistente y fuertemente acumulada, utilizar un agente limpiacristales suave.
- Al limpiar los filtros antigrasa, limpiar la grasa acumulada en los puntos accesibles del cuerpo de la campana extractora. De este modo se previene el peligro de que se inflamen los restos de grasa antiguos y la campana conserva óptimo funcionamiento.

Pantalla de visualización y mandos:

- Limpiar sólo con un paño blando impregnado con una solución suave de agua y agente lavavajillas.
- No utilizar agentes de limpieza de acero inoxidable.

Superficies de acero inoxidable:

- Usar un limpiador para acero inoxidable suave, no abrasivo.
- Limpiar el metal sólo en dirección al pulido.
- Aconsejemos utilizar nuestro agente para limpieza del acero inoxidable N° 461731.
Los datos para su pedido figuran en el cuaderno de servicio adjunto.

Superficies de aluminio, pintadas y de plástico:

- No utilizar paños secos.
- Utilizar un agente limpiacristales suave.
- No utilizar agentes limpiadores agresivos que contengan ácidos o álcalis.

Ténganse en cuenta los términos de la garantía que figuran en el cuaderno de servicio.

Sustituir las lámparas

1. Desconectar la campana extractora de la red eléctrica, extrayendo el cable de conexión de la toma de corriente o a través del fusible.

⚠ PRECAUCIÓN:

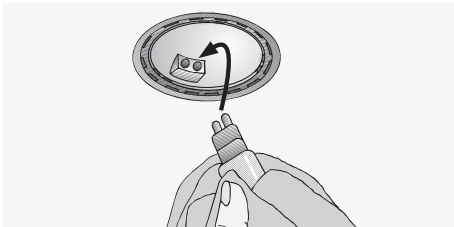
Las lámparas halógenas alcanzan durante su funcionamiento unas elevadas temperaturas. Para retirar la lámpara, sujetarla con un paño limpio.

2. Extraer el cristal protector del emplazamiento con ayuda de un destornillador o cualquier objeto semejante.



3. Sustituir la lámpara halógena por una lámpara halógena corriente, 12 V, máx. 20 W, base G 4).

NOTA: Portalámparas con acoplamiento de clavijas. Para retirar la lámpara, sujetarla con un paño limpio.



4. Colocar el cristal protector en su emplazamiento y encajarlo.
5. Restablecer la alimentación de corriente introduciendo el cable de conexión en la toma de corriente o a través del fusible.

NOTA:

En caso de no funcionar la iluminación de la campana, verificar si se han montado las lámparas correctas.

Averías y perturbaciones

En caso de que en la pantalla de visualización aparezcan las letras ☐:

- ☐ Véase al respecto el capítulo «Filtros y mantenimiento».

En caso de no poder accionar los mandos ni activar las funciones de la campana extractora:

- ☐ Dejar la campana sin corriente durante aproximadamente 1 minuto extrayendo el enchufe de la toma de corriente o desconectando el fusible de la red. Conectar a continuación la campana extractora.

En caso de consultas o averías de la campana extractora, no dude en llamar al Servicio de Asistencia Técnica.

(Véase al respecto la lista con las delegaciones y distribuidores oficiales).

Para cualquier consulta deberán indicarse los números de producto y de fabricación:

Nº E	FD
------	----

Anote los números correspondientes a su aparato en los espacios correspondientes. Los números figuran en la placa de características, a la que se accede tras desmontar la rejilla del filtro dentro de la campana extractora.

¡INDICACIÓN:

Las reclamaciones atribuibles o relacionadas con la planificación y ejecución de la instalación de las tuberías de la campana extractora, no están cubiertas por el servicio de garantía del fabricante.

Instrucciones de montaje:

Advertencias importantes

Los aparatos eléctricos usados incorporan materiales valiosos que se pueden recuperar. Por ello deberán entregarse a dicho efecto en un centro oficial de recogida o recuperación de materiales reciclables (por ejemplo Servicio o centro municipal de desguace o instituciones semejantes).

Su Ayuntamiento o Administración local le facilitarán gustosamente las señas del Centro de recuperación de materiales más próximo.

Antes de deshacerse de su aparato usado deberá inutilizarlo.

Su nuevo aparato está protegido durante el transporte hasta su hogar por un embalaje protector. Todos los materiales de embalaje utilizados son respetuosos con el medio ambiente y pueden ser reciclados o reutilizados. Contribuya activamente a la protección del medio ambiente insistiendo en unos métodos de eliminación y recuperación de los materiales de embalaje respetuosos con el medio ambiente.

Su Distribuidor o Administración local le informará gustosamente sobre las vías y posibilidades más eficaces y actuales para la eliminación respetuosa con el medio ambiente de estos materiales.

Esta campana extractora sólo es adecuada para la evacuación del aire al exterior.

Montar la campana extractora siempre por encima del centro de las zonas de cocción o los quemadores (según el tipo de cocina que se utilice).

La distancia mínima a observar entre las zonas de cocción (de una placa o cocina eléctrica) y el borde inferior de la campana es de **30"** (Fig. 1).

La campana sólo se podrá montar por encima de hogares para combustibles sólidos con peligro de incendio (por ejemplo proyección de chispas) si el hogar está provisto de una **protección cerrada no desmontable** y se cumplen las normas y disposiciones nacionales vigentes. Esta restricción no es válida para cocinas y placas de gas.

Cuanto menor sea la distancia entre la campana extractora y los quemadores, mayor posibilidad existe de que se formen gotas de agua en la parte inferior de la campana extractora debidas a la condensación del vapor de agua.

Advertencias adicionales relativas a las cocinas de gas:

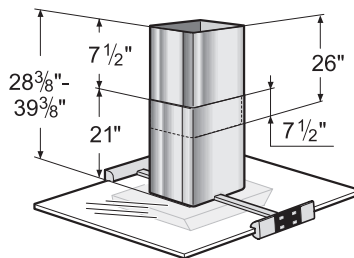
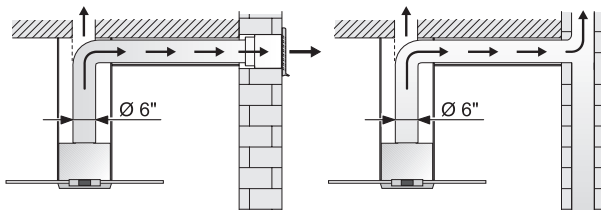
Al proceder al montaje de los quemadores de una placa de cocción o cocina de gas deberán observarse estrictamente las normas y disposiciones legales vigentes en cada pa's (en Alemania, por ejemplo, son las Normas Técnicas para Instalación de Equipos de Gas TRGI).

Respetar las normas y disposiciones, así como las instrucciones y consejos de montaje facilitadas por los fabricantes de las cocinas y aparatos de gas.

Esta campana extractora sólo deberá montarse con un lateral junto a un armario o pared alta. Distancia mínima a observar: **2"**.

La distancia mínima entre el borde inferior de la campana extractora y el borde superior de la parrilla para colocar recipientes de las zonas de cocción (quemadores) de una placa de cocción o cocina de gas: **30"** (Fig. 1).

Funcionamiento con evacuación del aire al exterior



El aire de evacuación pasa a través de un túnel de ventilación hacia arriba o directamente hacia el exterior, a través de la correspondiente pared.

⚠ ADVERTENCIA

El aire de evacuación no debe pasar a ninguna chimenea de humos o gases de escape en servicio, ni tampoco a túneles de ventilación de locales con hogares.

Antes de proceder a los trabajos de evacuación del aire al exterior, deberá observar las disposiciones legales de su localidad (por ejemplo el reglamento local para el permiso de edificación).

En caso de hacer pasar el aire de evacuación de la campana a una chimenea de humos o gases de escape fuera de servicio, deberá consultarse con el deshollinador del distrito competente, observando asimismo las normas y disposiciones nacionales vigentes.

⚠ ADVERTENCIA

Si se utiliza la campana con evacuación del aire al exterior simultáneamente con un hogar dependiente de una chimenea (por ejemplo calefacciones de gas, gas-oil o carbón, calentadores instantáneos, calentadores de agua), hay procurar que exista una suficiente alimentación de aire, necesario para el proceso de combustión del hogar.

Este funcionamiento es posible sin peligro si en el local de emplazamiento del hogar no se sobrepasa la depresión admisible de 4 Pa (0,04 mbares).

Para ello, es necesario que existan aperturas no bloqueables por las que el aire de combustión pueda renovarse y ventilarse sin dificultad, por ejemplo por puertas, ventanas o cajas murales para la alimentación o evacuación del aire o también pueden tomarse otras otras medidas como por ejemplo instalando cerrojos invertidos o similares.

Cerciorarse de que existe una alimentación suficiente del aire. De lo contrario el aire evacuado se vuelve a utilizar para la admisión y se corre el peligro de intoxicación.

La sola presencia de una caja mural para alimentación o evacuación del aire, sin embargo, no constituye una garantía para la observación de los límites de tolerancia válidos.

Nota: En las consideraciones y valoraciones a este respecto siempre habrá que tener en cuenta todo el conjunto del sistema de ventilación existente en la vivienda. Esta regla no es válida para las cocinas y placas de cocción de gas.

Si el aire es evacuado pasando a través de la pared exterior, deberá utilizarse una caja mural telescópica.

Antes del montaje

Condiciones necesarias para lograr la óptima potencia y rendimiento de la campana extractora:

- Tubo de evacuación corto y liso.
- Menor número de codos posible.
- Usar en lo posible tubos de gran diámetro, así como codos de gran tamaño.

Los tubos de evacuación largos y con desigualdades, y la utilización de muchos tubos y codos de diámetro pequeño perjudica el rendimiento óptimo del aparato y provoca un aumento de ruidos desagradables durante su funcionamiento.

¡INDICACIÓN!:

Las reclamaciones atribuibles o relacionadas con la planificación y ejecución de la instalación de las tuberías de la campana extractora, no están cubiertas por el servicio de garantía del fabricante.

Tubos redondos:

Se aconseja emplear tubos con un diámetro interior **150 mm**; el diámetro mínimo admisible es de 120 mm.

- Los canales planos** deberán poseer una sección interior equivalente a la de los tubos redondos.

No deben presentar ángulos demasiado agudos.

Diámetro 6", aprox. 28,3 inches²

- En caso de usar tubos con diferentes diámetros:**

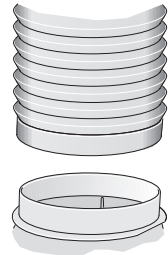
Colocar una tira estanqueizante.

- Al trabajar con sistema de evacuación **del aire al exterior**: Procurar una suficiente alimentación de aire.

Conexión de los tubos de evacuación

Tubo con diámetro de 6":

- Fijar directamente el tubo de evacuación el aire en el racor de empalme.



Antes del montaje

Preparativos en el techo

- El techo tiene que ser liso y horizontal.
- Asegurar el anclaje seguro de los tacos en el techo. Los tacos suministrados con el aparato son apropiados para techos de hormigón o piedra natural. Para techos de otros materiales y características deberán usarse tacos específicos para el material en cuestión.

Peso en kg: 40,5.

Nos reservamos el derecho de introducir modificaciones o cambios constructivos en los aparatos como consecuencia del progreso técnico.

Conexión eléctrica

La conexión de la **campana extractora** y la **pantalla de visualización** a la red eléctrica sólo se puede efectuar en tomas de corriente instaladas de modo reglamentario y provistas de toma a tierra. Las tomas de corriente deberán instalarse en lo posible directamente detrás del revestimiento de la campana (véase la ilustración sobre el montaje).

NOTA:

Para la conexión eléctrica de la pantalla de visualización se requiere una toma de corriente adicional provista de toma a tierra.

- La toma (caja) de corriente con puesta a tierra deberá acoplarse a través de un circuito de corriente propio.
- En caso de no ser accesible la toma de corriente con puesta a tierra tras el montaje de la campana extractora, tiene que existir un dispositivo separador, igual que en una conexión fija.

En caso de necesitar una conexión fija a la red eléctrica:


El aparato sólo deberá ser conectado a la red eléctrica por un instalador-electricista registrado como tal en la empresa de abastecimiento de energía eléctrica de la zona. Como dispositivo de separación se admiten interruptores con una abertura de contacto superior a $1/8$ " y desconexión de todas las fases. Esto incluye interruptores LS y contactores.

PRECAUCIÓN:

En caso de producirse daños en el cable de conexión del aparato, éste sólo podrá ser sustituido por el fabricante, un técnico especializado del Servicio de Asistencia Técnica Oficial o un técnico especializado del ramo, a fin de evitar situaciones de peligro.

Características eléctricas:

figuran en la placa de características que es accesible después de quitar los marcos de filtro, en la parte interior del aparato.

 **ADVERTENCIA:** En caso de reparación de la campana deberá desconectarse siempre el aparato de la red eléctrica, antes de iniciar los trabajos correspondientes.

Longitud del cable de conexión a la red eléctrica: 51 $1/8$ ".

La campana extractora cumple las normas comunitarias en materia de radiodesparasitaje.

Montaje

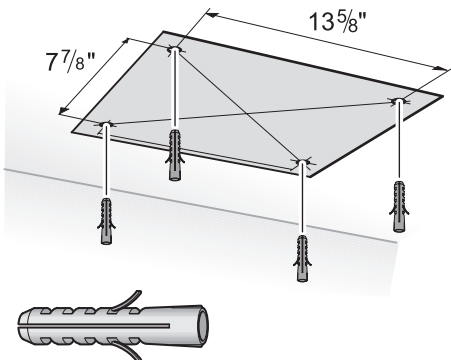
La presente campana extractora ha sido diseñada para el montaje en el techo de la cocina o en un techo suspendido de suficiente estabilidad y capacidad de sustentación.

PRECAUCIÓN:

Prestar atención a las distancias mínimas a observar entre la zona de cocción y la campana extractora de **30"** para las placas de cocción eléctricas y **30"** para las placas de cocción de gas.

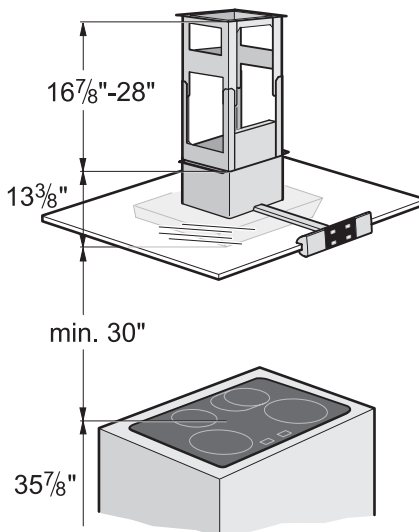
1. Marcar el centro de la campana extractora en el techo.
2. Marcar en el techo la posición de los tornillos con ayuda de la plantilla correspondiente.
3. Practicar cuatro taladros con una broca de $\frac{1}{4}$ " de diámetro; introducir los tacos a ras del techo.

Nota: Al menos un tornillo debe instalarse a través de un pasador.



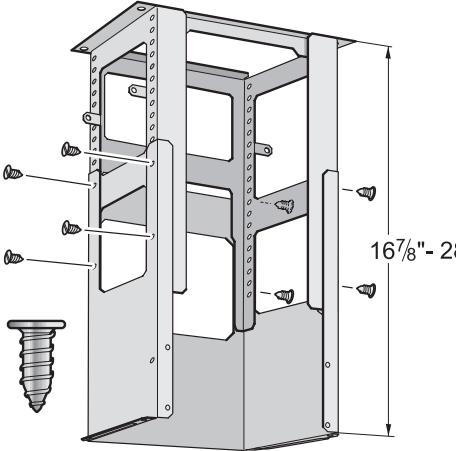
4. Determinar la altura total del bastidor de soporte.

- Se obtiene de la altura del techo, la altura del zócalo y la distancia a observar entre la placa de cocción y la campana extractora.

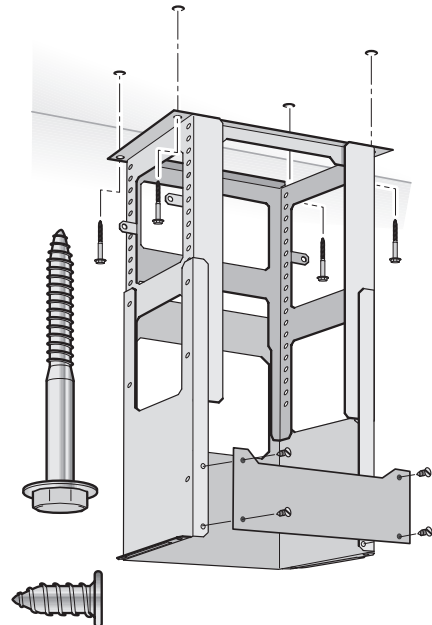


Montaje

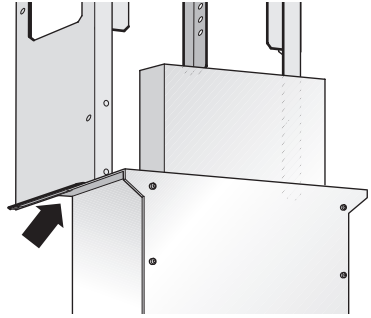
5. Unir y fijar las partes superior e inferior del bastidor de soporte en la altura total determinada previamente, con 8 tornillos.



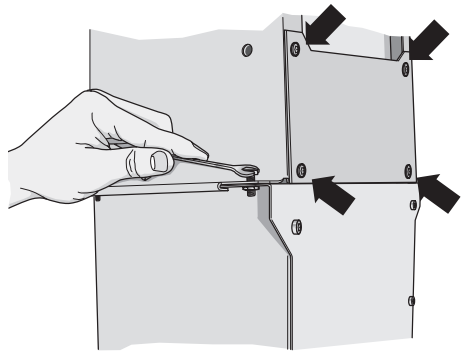
6. Fijar el bastidor de soporte al techo con 4 tornillos.
7. Retirar el revestimiento.



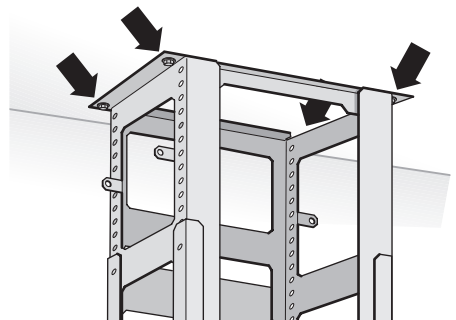
8. Introducir la campana en el bastidor de soporte con ayuda de los elementos auxiliares de montaje.



9. Atornillar la campana extractora al bastidor de soporte; colocar y atornillar el revestimiento en su sitio.

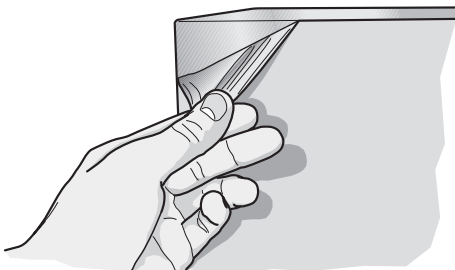


10. Alinear la campana extractora, soltando para ello previamente los tornillos de fijación al techo del bastidor de soporte.



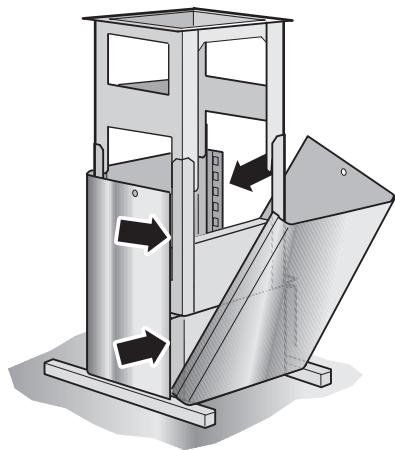
Montaje

11. Empalmar el tubo de evacuación del aire en la campana extractora.
12. Conectar el aparato a la red eléctrica.
13. Retirar cuidadosamente las láminas protectoras.

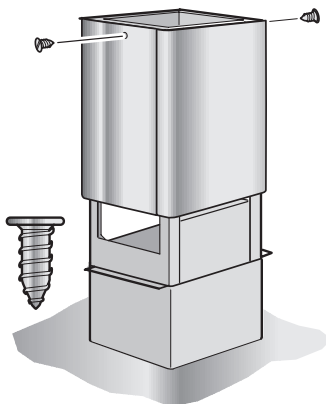


14. Colocar los dos elementos de la parte superior del revestimiento de chimenea sobre el cuerpo de la campana y encajarlos con los clips correspondientes.

⚠ ¡Proteger la campana contra daños o desperfectos!

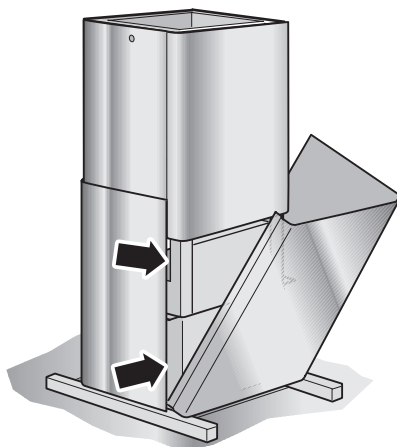


15. Deslizar el elemento superior del revestimiento de chimenea hacia arriba y atornillarlo.



16. Insertar los dos elementos del revestimiento de chimenea inferior y fijarlos mediante los clips correspondientes.

⚠ ¡Proteger la campana contra daños o desperfectos!



Notes

Notes

Noticias

BOSCH

YOUR LIFE. OUR INSPIRATION.

5551 McFadden Avenue, Huntington Beach, CA 92649 • 1-800-944-2904 • www.boschappliances.com
10061 Rev B • 05/07 © BSH Home Appliances Corporation 2007 • Litho U.S.A.

9000 254 077
Printed in Germany 0507 Es.